



AuroLED

租赁透明屏系列

Rental Transparent LED Display



ATR租赁透明屏

ATRO系列

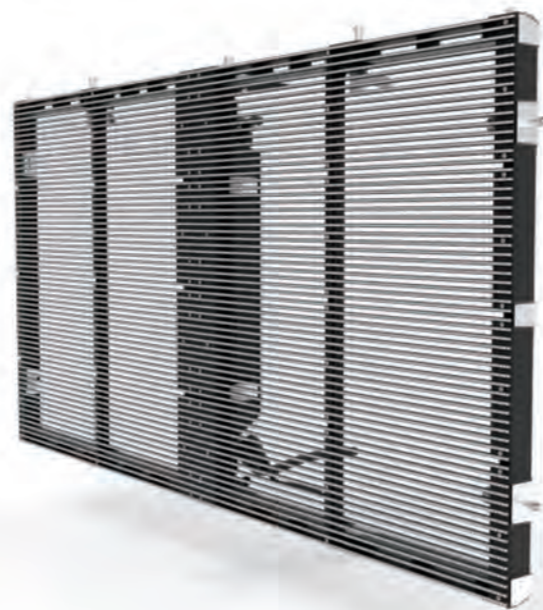
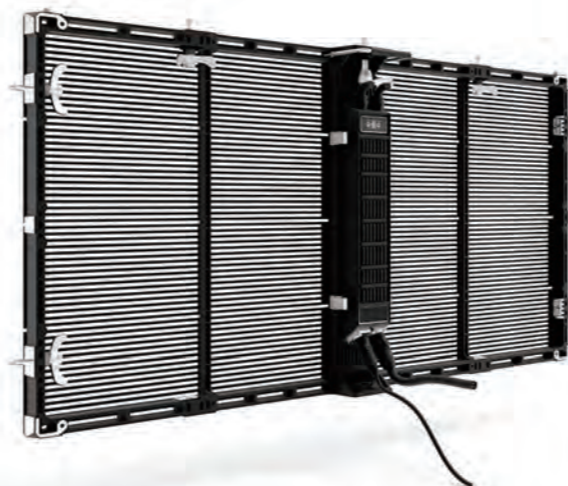
Rental transparent LED Display - ATRO series

二合一透明租赁屏是我司针对透明屏舞美应用领域所开发的一款全新透明屏产品，该产品具有高透明度，高防护等级，灵活，轻便，易于安装和维护等优点，室内户外皆可通用，并可快速安装拆卸，以满足各类舞美场景展示需求。

此系列产品主要应用于舞台舞美、电视演播厅、演唱会、主题公园、展览会、建筑外墙等场景。

The 2-in-1 transparent rental LED screen is a new product developed by AuroLED for the stage scenes. The product has the advantages of high transparency, high protection level, flexibility, light weight, easy installation and maintenance, etc. It can be used both indoor and outdoor, and can be quickly assembled and disassembled to meet the needs of various stage scenes.

This series of products are mainly applied to stage scenes, TV studio, concert, theme park, exhibition, architectural facades, etc.



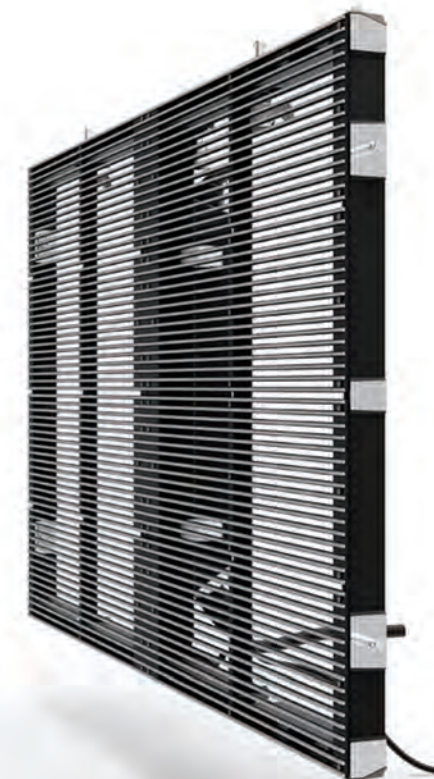
ATRO 系列,IP54 / ATRO series, IP54

简洁外观, 轻薄坚固

外观简洁大方, 轻薄坚固, 节能环保;
60%-90%高通透率, 透明显示, 可透光通风;
显示寿命可达10万小时。

Simple appearance, light and strong

The appearance is simple and generous, light and solid, energy-saving and environmental protection;
60%-90% high permeability, transparent display, Light-permeable and Ventilated;
Life time up to 100,000 hours.



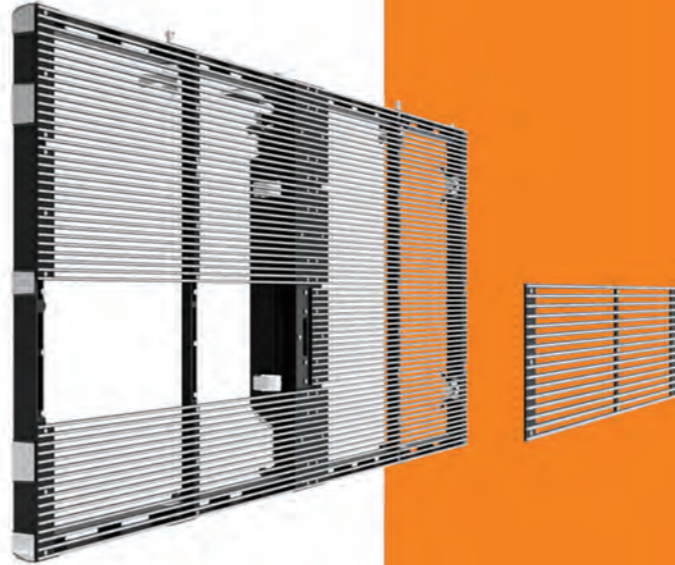


模块化设计, 维护方便

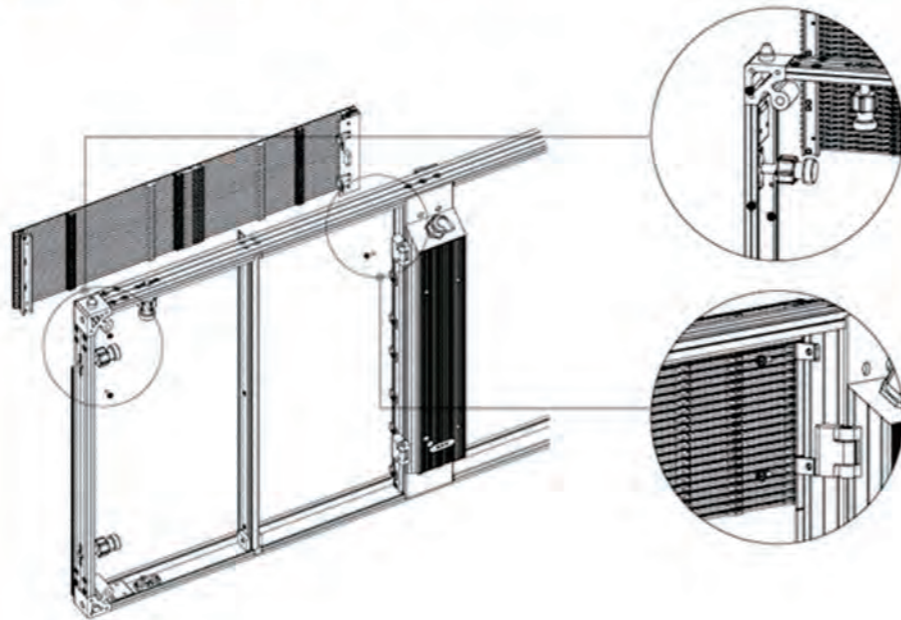
一体化模块设计, 维护仅需更换单个模块, 也可进行单点维护;
电源线、网线插拔式设计, 快速组装, 维护方便;
箱体适应吊装/固装/垒装等多种安装方式.

Modular design; Easy maintenance

Integrated module design, maintenance only requires replacement of a single module, but also a single point of maintenance;
Power cable, network cable plug-in design, quick assembly, easy maintenance;
The cabinet is suitable for various installation methods such as hoisting / fixing / blocking.



前/后维护 Front/back maintenance



高刷新率

刷新率可达3840Hz, 性能稳定.

High refresh rate

Refresh rate up to 3840Hz,
stable performance

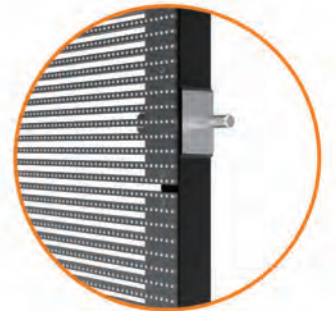


IP 68高防护等级

高防护等级, 防尘抗干扰
IP68高防护等级, 防水, 防尘, 抗腐蚀;
室内户外均可使用, 固装租赁亦可, 功能强大;

Waterproof, Corrosion Resistant

High protection level, dust-proof and anti-interference
IP68 high protection level, water-proof, dust-proof and anti-corrosion
Both indoor and outdoor can be used, fixed installation and rental can also be powerful



ATRO 系列, IP68 / ATRO series, IP68

规格 Specification	ATRO-3	ATRO-5-10	ATRO-10
LED类型 LED Configuration	SMD1921 1R1G1B	SMD1921 1R1G1B	SMD1921 1R1G1B
像素间距 Pixel Pitch	3.9-7.8mm	5.21-10.42mm	10.42mm
通透率 Transparency	50%	50%	50%
最大亮度 Max. Brightness	2000cd/m ² 4500cd/m ²	2000cd/m ² 4500cd/m ²	2000cd/m ² 4500cd/m ²
重量 Weight	7.5kg/cabinet	7.5kg/cabinet	7.5kg/cabinet
箱体像素 Cabinet Resolution	256*64	192*96	96*96
箱体尺寸 Cabinet Dimension	1000*500*80mm	1000*500*80mm	1000*500*80mm
最大功耗 Max. Power Consumption	800w/m ²	800w/m ²	800w/m ²
平均功耗 Ave. Power Consumption	260w/m ²	260w/m ²	260w/m ²
输入电压 Input Voltage	AC100~240V	AC100~240V	AC100~240V
工作电压 Working Voltage	DC4.6-5V	DC4.6-5V	DC4.6-5V
灰度等级 Gray Scale	16bit	14bit	14bit
防水等级 IP Rating	IP54/IP68	IP54/IP68	IP54/IP68
刷新率 Refresh Rate	≥3840Hz	≥3840Hz	≥3840Hz
工作温度 Working Temperature	-20~50°C	-20~50°C	-20~50°C



产品型号: ATRO-10
项目面积: 180平米
项目时间: 2019年10月
项目地点: 浙江·杭州

Products: ATRO-10
Project Size: 180m²
Project Date: 2019/10
Location: Hangzhou city

深圳市奥蕾达科技有限公司

地址: 深圳市光明高新区七号路侨德科技园A栋1、2楼

总机: +86-755-3318 5366

传真: +86-755-8290 0599

官方网站: www.auroled.cn



欢迎访问订阅号



欢迎访问公司官网

服务热线: 4000755535

SHENZHEN AUROLED TECHNOLOGY CO.,LTD

ADD: 1.2 BldgA, Qiaode Technology Park, Guangming District,
Shenzhen, Guangdong, China

Tel: +86-755-3318 5366

Fax: +86-755-8290 0599

Web: www.auroled.com

